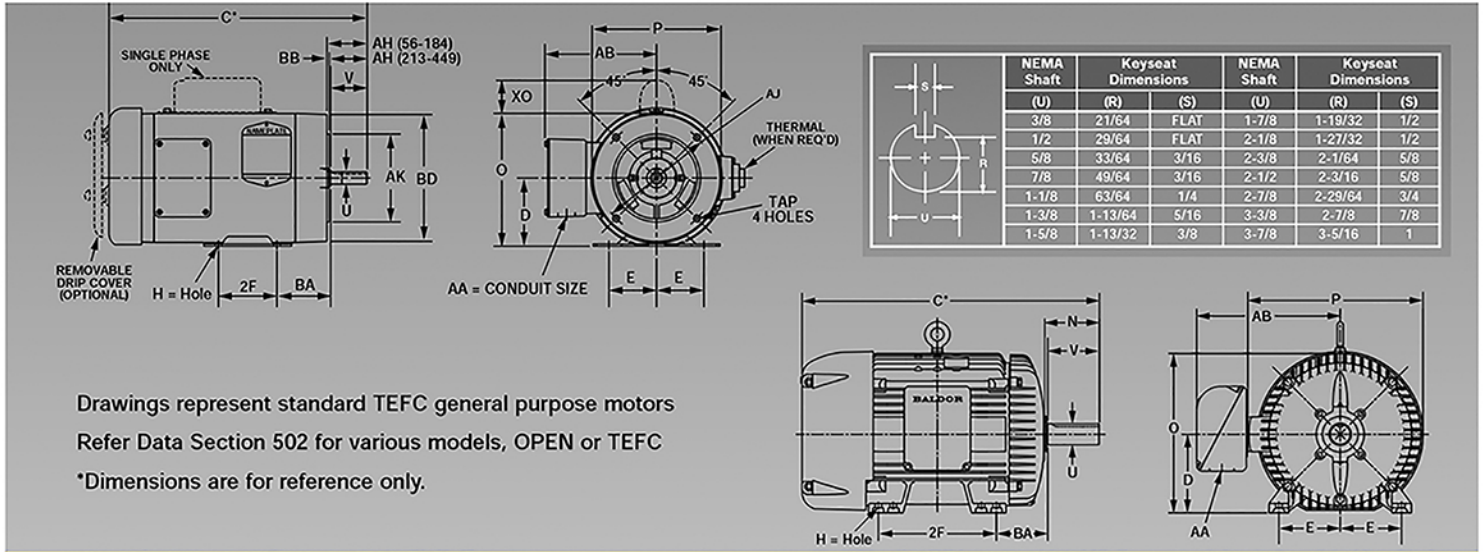


NEMA Quick Reference Chart



Drawings represent standard TEFC general purpose motors
Refer Data Section 502 for various models, OPEN or TEFC
*Dimensions are for reference only.

NEMA Shaft (U)	Keyseat Dimensions (R)	(S)	NEMA Shaft (U)	Keyseat Dimensions (R)	(S)
3/8	21/64	FLAT	1-7/8	1-19/32	1/2
1/2	29/64	FLAT	2-1/8	1-27/32	1/2
5/8	33/64	3/16	2-3/8	2-1/64	5/8
7/8	49/64	3/16	2-1/2	2-3/16	5/8
1-1/8	63/64	1/4	2-7/8	2-29/64	3/4
1-3/8	1-13/64	5/16	3-3/8	2-7/8	7/8
1-5/8	1-13/32	3/8	3-7/8	3-5/16	1

NEMA QUICK REFERENCE CHART

NEMA FRAME	D	E	2F	H	N	O	P	U	V	AA	AB	AH	AJ	AK	BA	BB	BD	XO	TAP
42	2-5/8	1-3/4	1-11/16	9/32 SLOT	1-1/2	5	4-11/16	3/8	1-1/8	3/8	4-1/32	1-5/16	3-3/4	3	2-1/16	1/8	4-5/8	1-9/16	1/4-20
48	3	2-1/8	2-3/4	11/32 SLOT	1-7/8	5-7/8	5-11/16	1/2	1-1/2	1/2	4-3/8	1-11/16	3-3/4	3	2-1/2	1/8	5-5/8	2-1/4	1/4-20
56 56H	3-1/2	2-7/16	3	11/32 SLOT	2-7/16	6-7/8	6-5/8	5/8	1-7/8	1/2	5	2-1/16	5-7/8	4-1/2	2-3/4	1/8	6-1/2	2-1/4	3/8-16
143T 145T	3-1/2	2-3/4	4 5	11/32	2-1/2	6-7/8	6-5/8	7/8	2-1/4	3/4	5-1/4	2-1/8	5-7/8	4-1/2	2-1/4	1/8	6-1/2	2-1/4	3/8-16
182 184 182T 184T	4-1/2	3-3/4	4-1/2 5	13/32	2-11/16 2-11/16	8-11/16	7-7/8	7/8 1-1/8	2-1/4 2-3/4	3/4	5-7/8	2-1/8 2-5/8	5-7/8 7-1/4	4-1/2 8-1/2	2-3/4	1/8 1/4	6-1/2 9	2-3/8	3/8-16 1/2-13
213 215 213T 215T	5-1/4	4-1/4	5-1/2 7	13/32	3-1/2 3-1/2	10-1/4	9-9/16	1-1/8 1-1/8	3 3-3/8	3/4	7-3/8	2-3/4 3-1/8	7-1/4	8-1/2	3-1/2	1/4	9	2-3/4	1/2-13
254U 256U 254T 256T	6-1/4	5	8-1/4 10	17/32	4-1/16 4-1/16	12-7/8	12-15/16	1-3/8 1-3/8	3-3/4 4	1	9-5/8 3	3-1/2 -3/4	7-1/4	8-1/2	4-1/4	1/4	10	—	1/2-13
284U 286U 284T 286T 284TS 286TS	7	5-1/2	9-1/2 11	17/32	5-1/8 5-1/8	14-5/8	14-5/8	1-5/8 1-5/8	4-7/8 4-7/8	1-1/2	13-1/8	4-3/8 4-3/8	9	10-1/2	4-3/4	1/4	11-1/4	—	1/2-13
324U 326U 324T 326T 324TS 326TS	8	6-1/4	10-1/2 12	21/32	5-7/8 5-7/8	16-1/2	16-1/2	1-7/8 1-7/8	5-5/8 5-5/8	2	14-1/8	5-3/8 5	11	12-1/2	5-1/4	1/4	13-3/8	—	5/8-11
364U 365U 364T 365T 364TS 365TS	9	7	11-1/4 12-1/4	21/32	6-3/4 6-3/4	18-1/2	18-1/4	2-1/8 2-3/8	6-3/8 5-7/8	2-1/2	15-1/16	6-1/8 5-5/8	11	12-1/2	5-7/8	1/4	13-3/8	—	5/8-11
404U 405U 404T 405T 404TS 405TS	10	8	12-1/4 13-3/4	13/16	7-3/16 7-3/16	20-5/16	20-1/8	2-3/8 2-3/8	7-1/8 7-1/8	3	18	6-7/8 6-7/8	11	12-1/2	6-5/8	1/4	13-7/8	—	5/8-11
444U 445U 444T 445T 447T 449T 444TS 445TS 447TS 449TS	11	9	14-1/2 16-1/2	13/16	8-5/8 8-5/8	22-7/8	22-3/8	2-7/8 2-7/8	8-5/8 8-5/8	3	19-9/16	8-3/8 8-3/8	14	16	7-1/2	1/4	16-3/4	—	5/8-11

5000 FRAME	D	E	2F	H	O	P	U	V	AA	AB	BA
5007S	12-1/2	10	22	15/16	26-27/32	30	2-1/2	6-1/2	4-NPT	26-7/8	8-1/2
5007L	12-1/2	10	22	15/16	26-27/32	30	3-7/8	11-1/8	4-NPT	26-7/8	8-1/2
5009S	12-1/2	10	28	15/16	26-27/32	30	2-1/2	6-1/2	4-NPT	26-7/8	8-1/2
5009L	12-1/2	10	28	15/16	26-27/32	30	3-7/8	11-1/8	4-NPT	26-7/8	8-1/2
5011S	12-1/2	10	36	15/16	26-27/32	30	2-1/2	6-1/2	4-NPT	26-7/8	8-1/2
5011L	12-1/2	10	36	15/16	26-27/32	30	3-7/8	11-1/8	4-NPT	26-7/8	8-1/2

NEMA C-Face	BA Dimensions
143-5TC	2-3/4
182-4TC	3-1/2
213-5TC	4-1/4
254-6TC	4-3/4

Frame	NEMA FRAMES PRIOR TO 1953							
	D	E	F	N	U	V	BA	
66	4-1/8	2-15/16	2-1/2	2-1/4	3/4	2-1/4	3-1/8	
203	5	4	2-3/4	2-7/16	3/4	2	3-1/8	
204	5-1/2	4-1/2	3-3/8	3-1/4	1	3	3-1/2	
224	6-1/4	5	4-1/8	3-7/16	1-1/8	3-3/8	4-1/4	
225	6-1/4	5-1/2	4-3/4	4-1/4	1-1/4	3-3/4	4-3/4	
324	8	6-1/4	5-1/4	5-3/8	1-5/8	4-7/8	5-1/4	
326	8	6-1/4	5-1/4	5-3/8	1-5/8	4-7/8	5-1/4	
364	9	7	5-5/8	5-5/8	1-7/8	5-3/8	5-7/8	
365	9	7	5-5/8	5-5/8	1-7/8	5-3/8	5-7/8	
405	10	8	6-1/8	6-3/8	2-1/8	6-1/8	6-5/8	
444	11	9	7-1/4	7-1/8	2-3/8	6-7/8	7-1/2	
445	11	9	7-1/4	7-1/8	2-3/8	6-7/8	7-1/2	
504	12-1/2	10	8	8-5/8	2-7/8	8-3/8	8-1/2	
505	12-1/2	10	8	8-5/8	2-7/8	8-3/8	8-1/2	